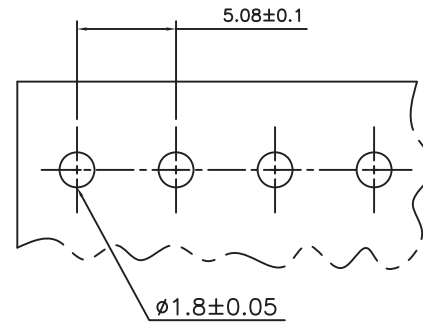
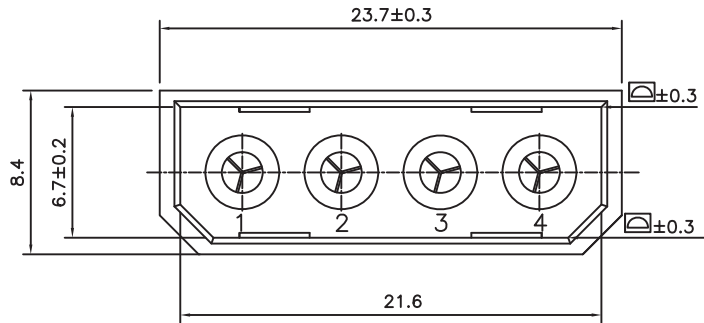
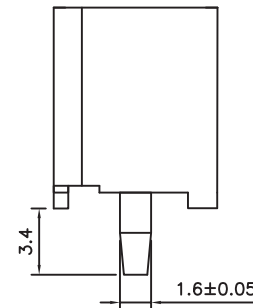
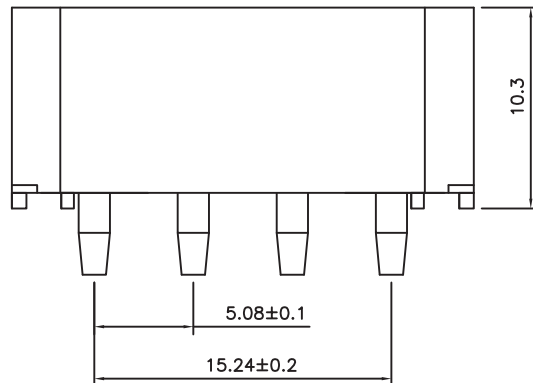


ORDER INFORMATION:

P5.08027- $\frac{04}{a}$ - $\frac{WX}{b}$ - $\frac{B}{c}$



Recommmand PCB Layout



a. Pin of numbers:

4

b. Plastic material:

N0:Nylon 66 UL94V-0

N:Nylon 66 UL94V-2 (standard)

c. Pack :

B : Bag (1000P/B)

■ SPECIFICATIONS

- Voltage Rating : 250V AC/DC
- Current Rating : 7A AC/DC
- Withstanding Voltage : 1,500V AC/minute
- Insulation Resistance : 1,000M Ω min
- Temperature Range : - 25 $^{\circ}$ C to + 85 $^{\circ}$ C
- Contact Resistance : 20m Ω max

■ WAFER

- Material : Contact : Brass, Tin-Plated
Base : Nylon 66 UL94V-2

- Q' ty : 1,000 pcs./Bag

| | | | |
|---|----------|------------|---|
| GENAL TOLERANCE .X ± 0.30 .XX ± 0.20 .XXX ± 0.10 | DRAW | H. D. LI | PART NO |
| | DESIGN | H. D. LI | P5.08027-04-WX-B |
| | CHECKED | Y. M. LU | TITLE |
| | APPROVED | J. F. KANG | 5.08mm Power Connector 大4P 公座 180度 |
| UNIT :mm | | |  宏揚精密有限公司 HOJAR PRECISION CO., LTD. |