

ORDER INFORMATION:

HJM1-022-X-O
a

a. Color

1 : Black

R : Red

Y : Yellow


W: White

G : Green

B : Blue

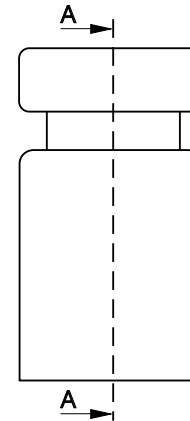
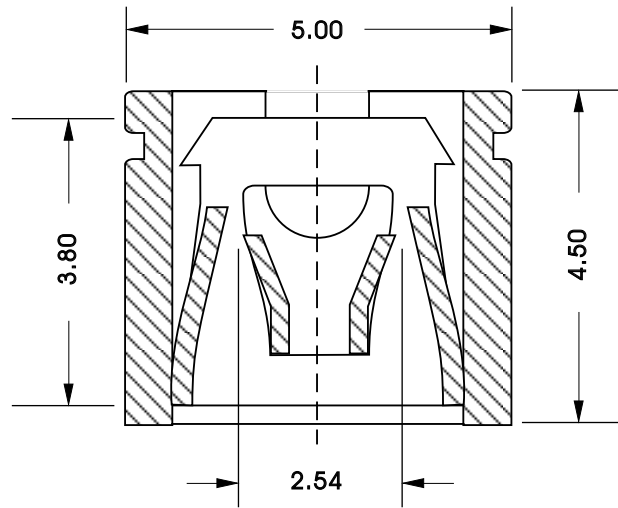
VERSION & EC DESCRIPTION

DATE	VERSION	PAGE	DESCRIPTION
2004/09/15	A	6-7	Add HJM1-022-X-O Plan

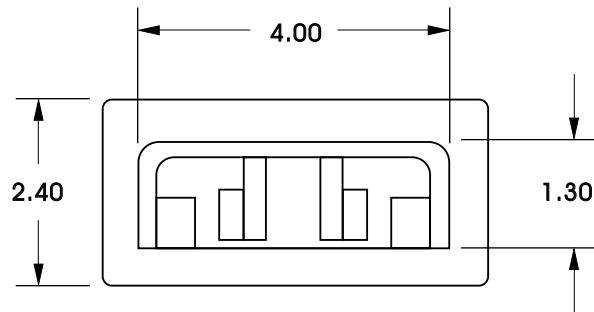
GENERAL TOLERANCE	DRAW DATE	2004/09/15 H. D. LI	PART NO
X. ± X.XX	DESIGN	H. D. LI	HJM1-022-X-O
.X ± 0.20	CHECKED	Y. M. LU	TITLE
.XX ± 0.10	APPROVED	J. F. KANG	Pitch 2.54mm Mini Jumper Open
.XXX ± X.XX	UNIT :mm		 宏揚精密有限公司 HOJAR PRECISION CO. : LTD.


VERSION

A



SEC A - A



GENERAL TOLERANCE	DRAW DATE	2004/09/15 H. D. LI	PART NO
X. ± X.XX	DESIGN	H. D. LI	HJM1-022-X-O
.X ± 0.20	CHECKED	Y. M. LU	TITLE
.XX ± 0.10	APPROVED	J. F. KANG	Pitch 2.54mm Mini Jumper Open
.XXX ± X.XX			
UNIT :mm			 宏揚精密有限公司 HOJAR PRECISION CO. : LTD.