

VERSION


A

ORDER INFORMATION:

HJM1-023-X-C
a

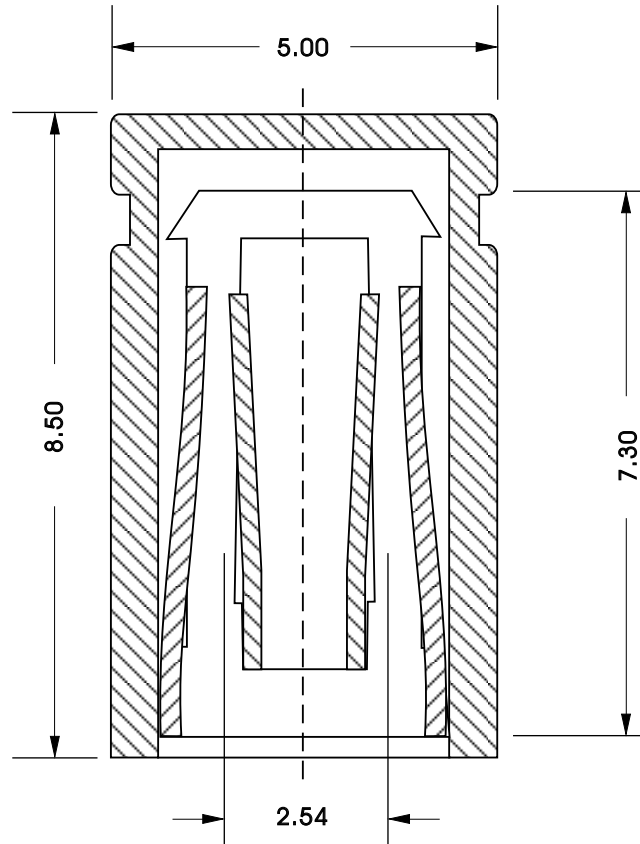
- a. Color
- 1 : Black
- R : Red
- Y : Yellow
- W: White
- G : Green
- B : Blue

VERSION & EC DESCRIPTION			
DATE	VERSION	PAGE	DESCRIPTION
2004/09/15	A	8-9	Add HJM1-023-X-C Plan

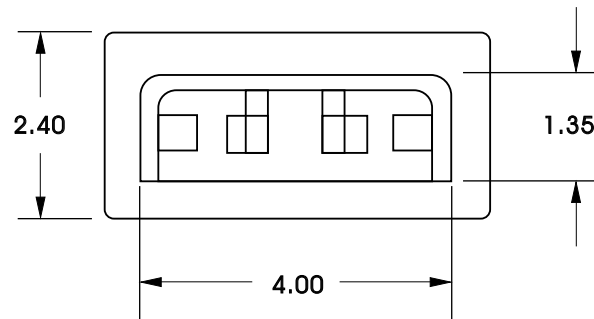
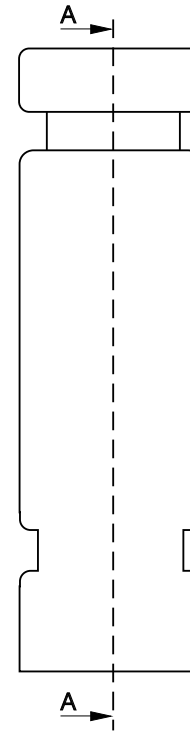
GENAL TOLERANCE	DRAW DATE	2004/09/15	PART NO
X. ± X.XX	H. D. LI		HJM1-023-X-C
.X ± 0.20	DESIGN	H. D. LI	TITLE
.XX ± 0.10	CHECKED	Y. M. LU	Pitch 2.54mm Mini Jumper Close
.XXX ± X.XX	APPROVED	J. F. KANG	 宏揚精密有限公司 HOJAR PRECISION CO. : LTD.
UNIT :mm			


VERSION

A



SEC A - A



GENERAL TOLERANCE	DRAW DATE	2004/09/15	PART NO
X. ± X.XX	DATE	H. D. LI	HJM1-023-X-C
.X ± 0.20	DESIGN	H. D. LI	TITLE
.XX ± 0.10	CHECKED	Y. M. LU	Pitch 2.54mm Mini Jumper Close
.XXX ± X.XX	APPROVED	J. F. KANG	 宏揚精密有限公司 HOJAR PRECISION CO. : LTD.
UNIT :mm			