

SPECIFICATIONS

Voltage Rating : 50V AC/DC

Current Rating : 1A AC/DC

Insulator resistance : 500 M Ω min

Withstanding Voltage : 500V AC / minute

Temperature Range : -25 $^{\circ}$ C to +85 $^{\circ}$ C

Contact Resistance : 20 m Ω max.

MATERIAL :

Contact : Brass, Tin Plated

Base : Nylon 9T UL94V-0

Cap : Nylon PA46 UL94V-0

ORDER INFORMATION:

SWB150 - $\frac{XX}{a}$ V - $\frac{X}{b}$

a. Pin of numbers:

2 ~ 13


b. Pack :

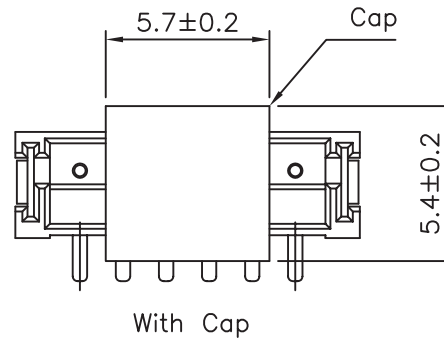
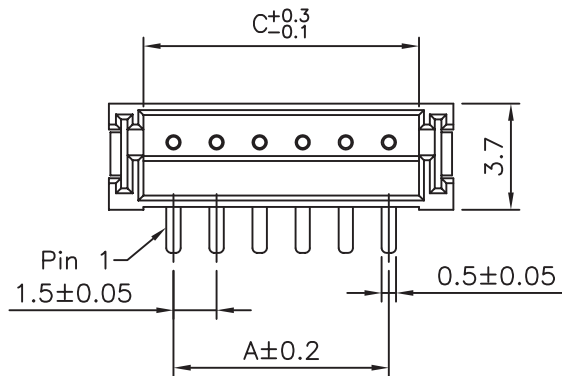
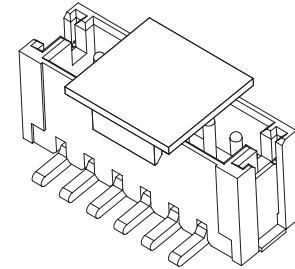
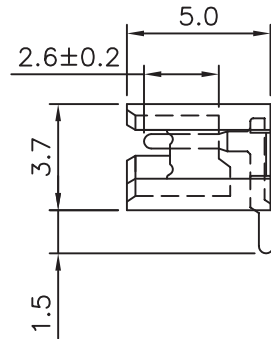
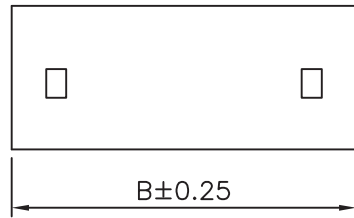
T : Tube

R : Reel

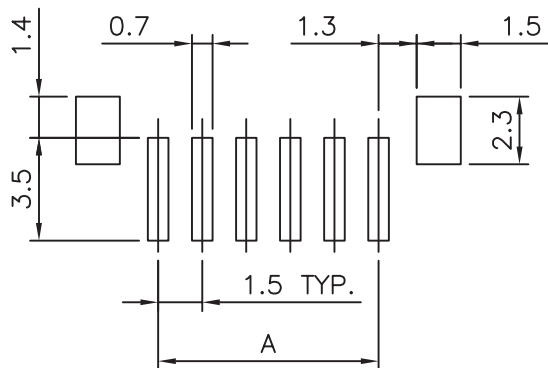
B : Bag

C : Contron


GENAL TOLERANCE	DRAW DATE	2006/01/26 H. D. LI	PART NO
.X \pm 0.3 .XX \pm 0.2 .XXX \pm 0.1	DESIGN	H. D. LI	SWB150 - XXV - X
	CHECKED	Y. M. LU	TITLE
	APPROVED	J. F. KANG	1.5 WAFER SMD XX PIN 180度
UNIT :mm			 宏揚精密有限公司 HOJAR PRECISION CO., LTD.



Poles	Dimensions (mm)		
	A	B	C
2	1.50	6.00	3.60
3	3.00	7.50	5.10
4	4.50	9.00	6.60
5	6.00	10.50	8.10
6	7.50	12.00	9.60
7	9.00	13.50	11.10
8	10.50	15.00	12.60
9	12.00	16.50	14.10
10	13.50	18.00	15.60
11	15.00	19.50	17.10
12	16.50	21.00	18.60
13	18.00	22.50	20.10



Recommand PCB Layout

GENAL TOLERANCE .X ± 0.3 .XX ± 0.2 .XXX ± 0.1	DRAW 2006/01/26 DATE H. D. LI	PART NO SWB150 - XXV - X
	DESIGN H. D. LI	TITLE 1.5 WAFER SMD XX PIN 180度
	CHECKED Y. M. LU	
UNIT :mm	APPROVED J. F. KANG	 宏揚精密有限公司 HOJAR PRECISION CO., LTD.